

Manual Microscope Stage EK 200 × 200 for Upright Microscopes

Specifications

Travel range	max. 205 × 205 mm (8" × 8")
Drive	coaxial drive / rack – pinion with patented coarse adjustment
Material	aluminium
Surface	anodic coating, black lacquered
Load capacity	5.0 kg
Weight	approx. 6.3 kg

Order Information

Order No.: 00-23-801-0000

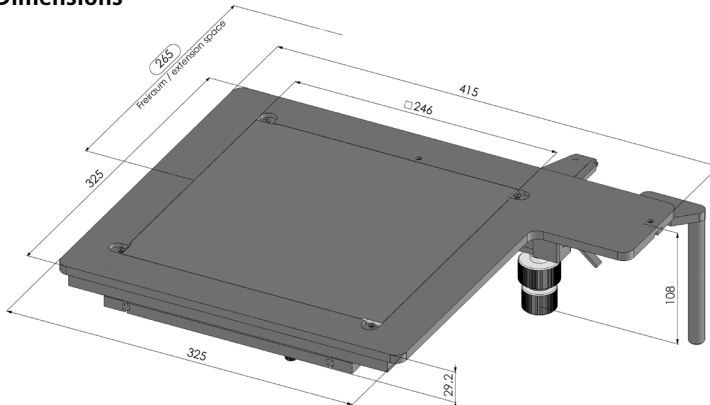
Product Features

- ▣ equipped with patented coarse adjustment
- ▣ fine adjustment via coaxial drive
- ▣ L-shaped support stages or microscope specific adaptations available

Accessories

Metall plate (included in delivery)
 Order No.: 00-24-801-0011

Dimensions



For more accessories for microscopy please visit: www.marzhauser.com