



TANGO Foot Pedal for Convenient Operation of Motorized Microscope and Measuring Stages

Specifications

Number of axes	up to 2
Interface	15-pol HD sub connector (connection to TANGO HDI)
Surface	plastics
Weight	ca. 700 g
Dimensions	207 x 151 x 47 mm (L x W x H)

Order Information

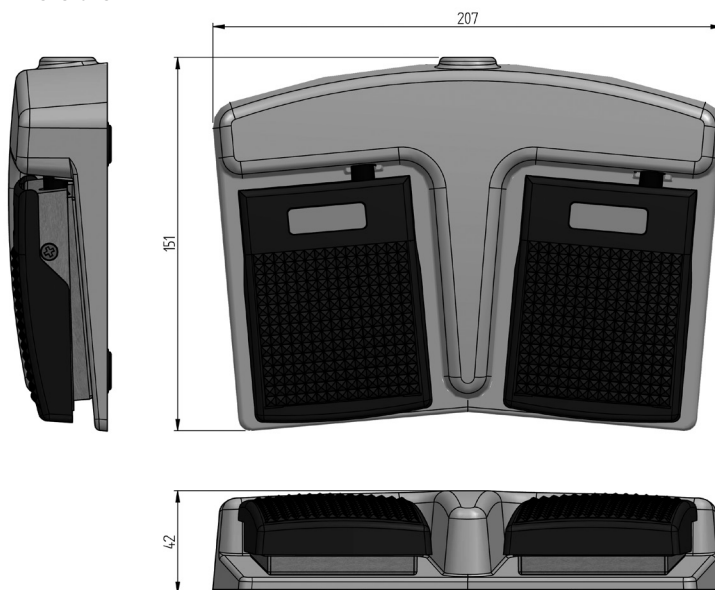
Foot pedal for X-axis
Order no.: 00-76-550-8802

Foot pedal for Y-axis
Order no.: 00-76-550-8803

Foot pedal for Z-axis
Order no.: 00-76-550-8804

Foot pedal for XY-axes
Order no.: on request

Dimensions



Product Features

- ▶ optional operating device for motorized microscope and measuring stages in connection with Märzhäuser TANGO controllers
- ▶ individually adjustable travel speed
- ▶ switchable assignment of travel direction and pedals
- ▶ „Plug and play your microscope“: automatic identification if connected to Märzhäuser TANGO controllers

Accessories

For further accessories for TANGO controllers please visit: www.marzhauser.com